

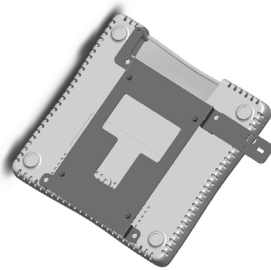
902-0166-0000 Optional Mounting Kit Instructions

(For ZoneFlex 2741, 7762, 7343 and 7363 Access Points)

Mounting Brackets

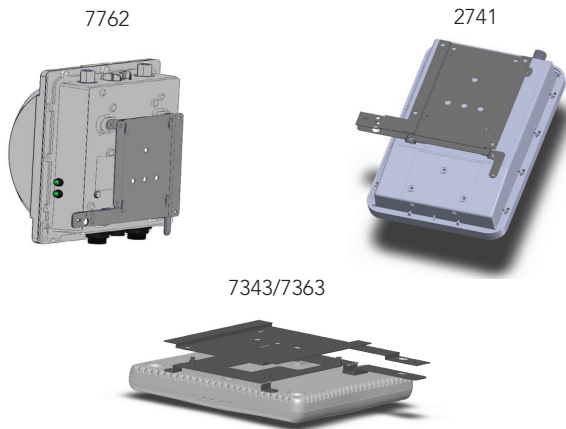
1 Remove both mounting brackets from the mounting kit package. Note which is the AP bracket and which is the wall bracket. Remove and discard the single #4-24 x .3125" long cover retaining screw located on the bottom of the AP near the Reset Switch.

2 Ensuring that the locking arm section is toward the rear of the AP (the side with the Ethernet ports), align the metal posts on the AP bracket with the slots on the underside of the AP, and slide the plate down until it locks in place. Replace the screw removed in Step 1 with the 16mm long tapping screw included in the hardware bag to affix the mounting plate to the unit.



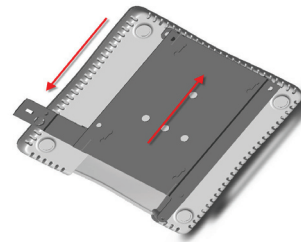
Attach the AP bracket to the AP

3 Using four #4 sheet metal screws, affix the wall bracket to the mounting surface. Ensure that the locking arm section is on the side that you want the bottom of the AP to face. Also ensure that the screw holes are flat against the mounting surface, and the raised section is facing outward.



Mate the AP bracket to the wall bracket

4 Match the locking arm section of the wall bracket with the locking arm section on the AP bracket, and align the four metal posts on the AP bracket with the four holes on the wall bracket. Slide the AP down to lock in place. Utilize a Kensington lock or the knurled screw in the hardware bag to lock the two plates together on the mounting plate locking arm protruding from the side of the unit.



Slide the AP down to lock in place

T-Bar Clips

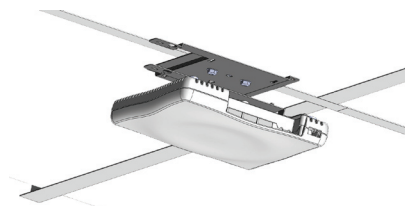
1 To mount the AP to a T-bar, first remove the two snap-on twist clips from the mounting kit package. Remove and save the retaining nut from each clip.



Twist clips (2)

2 Snap on both twist clips to the T-bar. Slide the twist clips together until they contact each other. Then position the wall bracket in the desired orientation and place over the two clips. Attach the wall bracket to the twist clips with the retaining nuts from step 1.

3 Attach the AP bracket to the AP as described in the Mounting Brackets section. Mate the AP and wall brackets together as described in the Mounting Brackets section.



Mate the AP and wall brackets together



Wall Bracket Mounting Hole Template

