

9000 PTZ Internal & External IP Dome Cameras

An integration of excellent sensors and world class H.264 compression delivers a milestone in the evolution of IP video

IndigoVision's range of 9000 PTZ IP dome cameras are designed to be used with the company's complete end-to-end IP Video solution and have class-leading H.264 compression technology built-in. The 9000 PTZ cameras are fully compatible with IndigoVision's Control Center Video and Alarm Management software and its range of Network Video Recorders (NVRs).

- ❑ Internal or external, day/night
- ❑ Class-leading H.264 compression delivering high quality video at exceptionally low bit rates
- ❑ Progressive or Interlace scan options
18x, 35x and 36x optical zoom
- ❑ Wide dynamic range
- ❑ Outstanding low light performance
- ❑ Image Stabilization



Pendant Camera with optional wall mount



In-Ceiling Mount

Specification

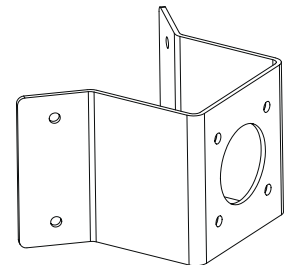
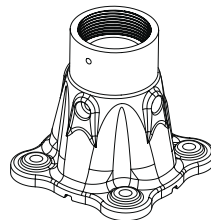
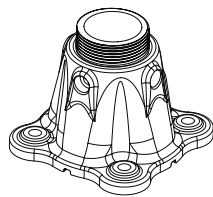
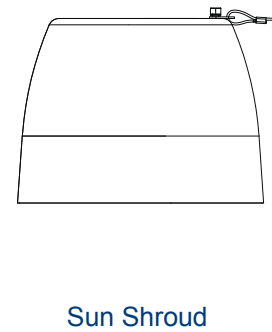
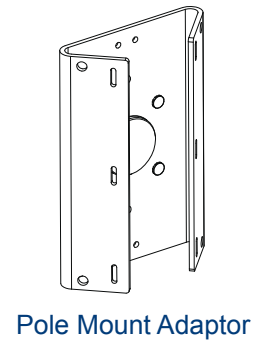
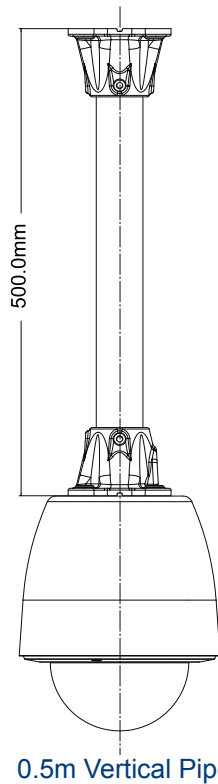
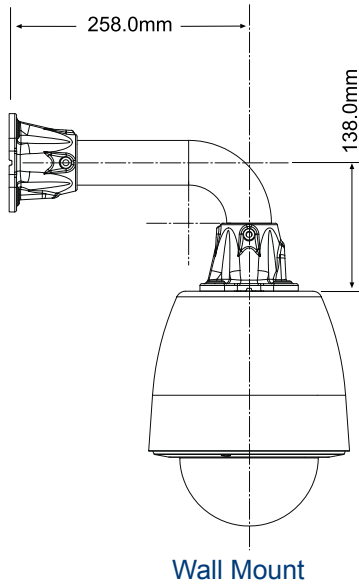
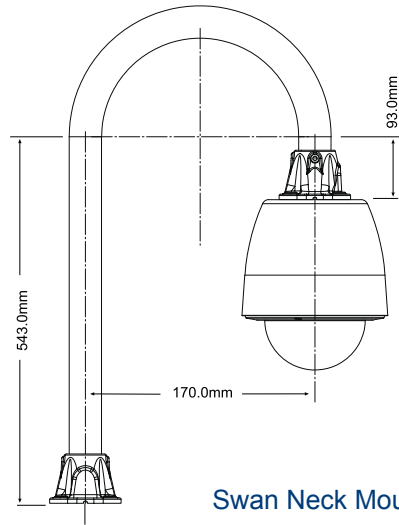
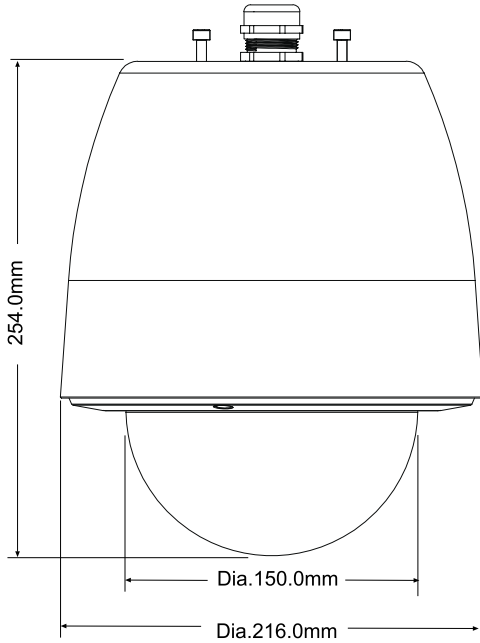
General Specifications

	36x optical + 12x digital	35x optical + 12x digital	18x optical + 12x digital
Zoom order options	36x optical + 12x digital	35x optical + 12x digital	18x optical + 12x digital
Lens	3.4mm to 122.4mm, F1.6 to F4.5	3.4mm to 119mm, F1.4 to F4.2	4.1mm to 73.8mm, F1.4 to F3.0
Scan Mode	Interlaced	Progressive or Interlaced	Interlaced
Horizontal View Angle	1.7° to 57.8°	1.7° to 55.8°	2.8° to 48°
Day/Night	Yes	Yes	Yes
Wide dynamic range	Yes	Yes	Yes
Image Stabilizer	No	Yes	No
Min Sensitivity <small>*35x sensitivity in Progressive mode is double these figures</small>	NTSC, F1.6, 50 IRE 0.1 lx at 1/4 sec (color) 0.01 lx at 1/4 sec (mono) PAL, F1.6, 50 IRE 0.1 lx at 1/3 sec (color) 0.01 lx at 1/3 sec (mono)	NTSC, Interlace*, F1.4, 35 IRE 0.05 lx at 1/4s (color) 0.01 lx at 1/4s (mono) PAL, Interlace*, F1.4, 35 IRE 0.05 lx at 1/3s (color) 0.01 lx at 1/3s (mono)	NTSC, F1.4, 50 IRE 0.07 lx at 1/4 sec (color) 0.01 lx at 1/4 sec (mono) PAL, F1.4, 50 IRE 0.07 lx at 1/3 sec (color) 0.01 lx at 1/3 sec (mono)
Resolution	>540 TVL	>540 TVL	>540 TVL

Sensor	1/4" Sony ExView HAD	Binary Input/Output	2 opto-isolated inputs; 1 solid state opto-isolated relay output												
Active Pixels	752(H) x 582(V)	Video Compression	Full frame rate H.264 (ISO 14496-10): 25/30fps guaranteed												
Signal/noise ratio	>50 dB	Dual Encoding	<table border="0"> <thead> <tr> <th></th> <th>A</th> <th>B</th> </tr> </thead> <tbody> <tr> <td>4SIF</td> <td>1 stream</td> <td>1 stream</td> </tr> <tr> <td>2SIF</td> <td>2 streams</td> <td>2 streams</td> </tr> <tr> <td>SIF</td> <td>3 streams</td> <td>3 streams</td> </tr> </tbody> </table>		A	B	4SIF	1 stream	1 stream	2SIF	2 streams	2 streams	SIF	3 streams	3 streams
	A	B													
4SIF	1 stream	1 stream													
2SIF	2 streams	2 streams													
SIF	3 streams	3 streams													
Shutter/Iris/Focus	Automatic with manual override	Video Bitrate	User configurable from 32Kbps to 8Mbps												
Manual Shutter Speeds	1 to 1/10000 sec.	Multi-Streaming	Up to 16 simultaneous unicast video users plus unlimited multicast users												
White Balance/Gain/IR Filter	Automatic	Resolution	SIF: 352x288 pixels (PAL); 352x240 pixels (NTSC) 2SIF: 704x288 pixels (PAL); 704x240 pixels (NTSC) 4SIF: 704x576 pixels (PAL); 704x480 pixels (NTSC)												
Standard Pendant and In-Ceiling Electrical	Operating voltage: PoE+ /802.3AT or 24V AC/DC @ 1A Power consumption: 24W; Surge protection 24V DC Power supply separately orderable	Network Interface	RJ-45. IEEE802.3 and IETF standards: 10/100 Base-T Ethernet, TCP, UDP, IGMP, SNMP, HTTP												
Environmental Pendant Electrical	Operating Voltage: 24V AC/DC @ 2.3 A Power Consumption: 55W; Surge protection 24V DC power supply included	Network Security	Embedded Linux firewall												
Console Input/Output	RS232	Time	Embedded real-time clock, NTP client												
Weight	In-Ceiling: 2.7 Kg Standard Pendant: 5.5 Kg Environment Pendant: 5.7 Kg	Features													
Pendant Construction	Vandal resistant die-cast aluminium	Presets	250												
Bubble Construction	Optical grade polycarbonate	Preset Accuracy	0.05°												
Storage Temp (All Models)	-20°C (-4°F) to +70°C (158°F)	Preset Tours	100 each with 20 presets												
In-Ceiling Operating Temperature	0°C (32°F) sustained minimum +40°C (104°F) sustained maximum	Pattern/Mimic Tours	4 each with up to 1 minute												
Standard Pendant Operating Temperature	-5°C (23°F) sustained minimum +60°C (140°F) absolute maximum for periods of 1 hour +50°C (122°F) sustained maximum	Pan Range	360° continuous rotation												
Environmental Pendant Operating Temperature	-20°C (-4°F) sustained minimum +60°C (140°F) absolute maximum for periods of 1 hour +50°C (122°F) sustained maximum	Tilt Range	-2° (above horizontal) to +90° (vertically down)												
Ingress Protection	IP67	Pan/Tilt Speed	0.001°/s to 360°/s												
Regulatory	EN 55022(1994) ITE emission standard Class A EN 55024(1998) ITE immunity standard Class A (US federal code of regs) EN 61000-3-2(1995) mains harmonics Class A EN 61000-3-3(1995) voltage fluctuation CFR47(1995) Part 15 subpart B UL 2044	Preset Move Speeds	200°/s												
		Privacy Zones	24 User Defined												
		Picture Freeze option	Yes												
		Image Flip	Yes												

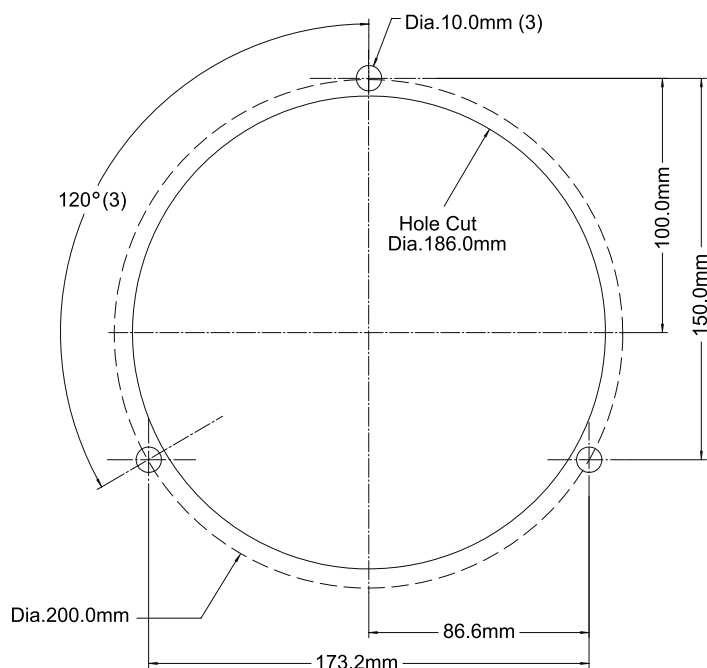
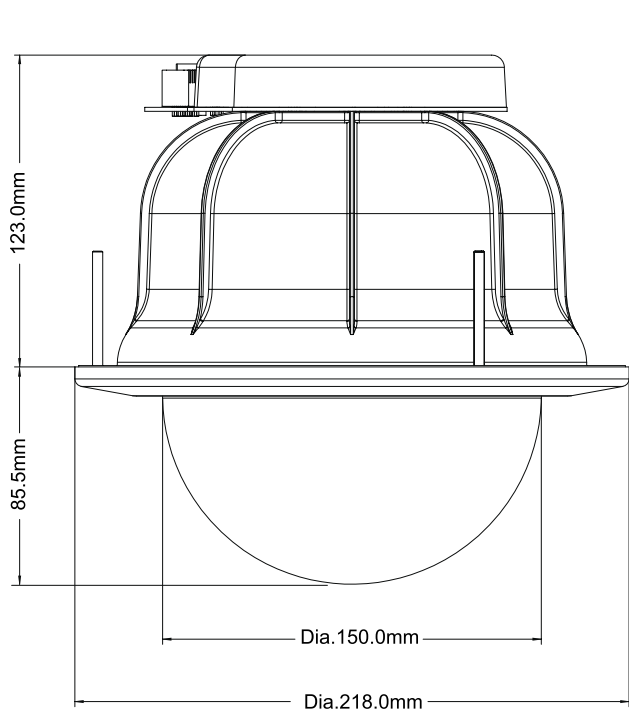


9000 PTZ Pendant IP Domes



Pendant cameras ship with no mounts.
Mounts and accessories are separately orderable.

9000 PTZ In-Ceiling IP Domes



Hole Cutting Template

Easy Installation



ID:IV-9PTZ 09.5